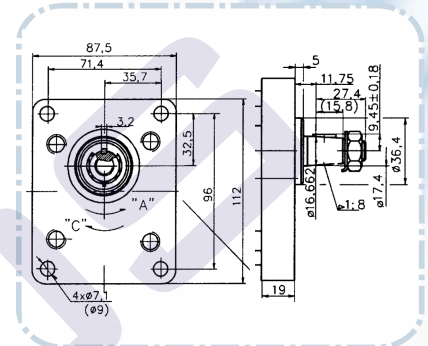


I GROUP 20 + GROUP 10 II

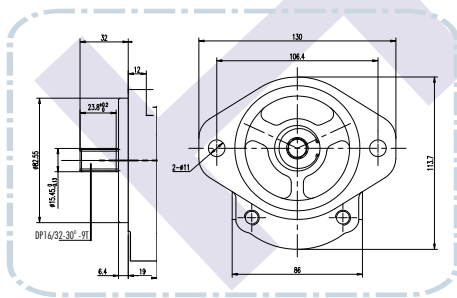


FRONT PUMP		REAR PUMP	
Code Number	Displacement cm ³	Code Number	Displacement cm ³
H 20A/C4.5X168	4.5	H10A/C1X179	1
H 20A/C6.3X168	6.3	H10A/C1.25X179	1.25
H 20A/C8.2X168	8.2	H10A/C1.6X179	1.6
H 20A/C10X168	10	H10A/C2X179	2
H 20A/C11X168	11	H10A/C2.5X179	2.5
H 20A/C12X168	12	H10A/C3.15X179	3.15
H 20A/C14X168	14	H10A/C3.65X179	3.65
H 20A/C15X168	15	H10A/C4.2X179	4.2
H 20A/C16X168	16	H10A/C5X179	5
H 20A/C19X168	19	H10A/C5.7X179	5.7
H 20A/C22X168	22	H10A/C6.1X179	6.1
H 20A/C25X168	25		

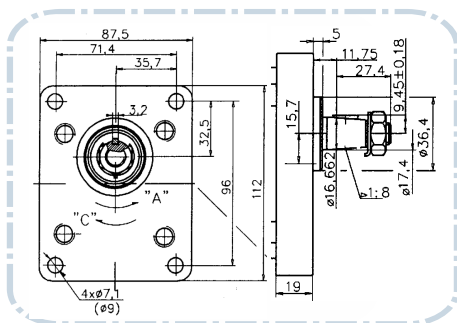


**GROUP 20 + GROUP 20
GROUP 20 + GROUP 20 + GROUP 20**

I II III

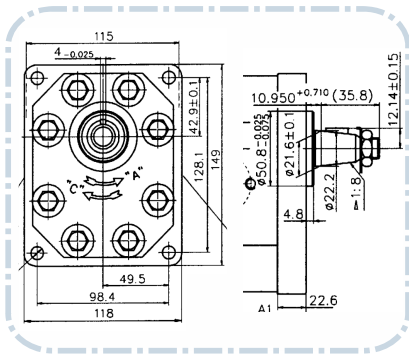


X468



X067

FRONT PUMP		MIDDLE PUMP		REAR PUMP	
Code Number	Displacement cm ³	Code Number	Displacement cm ³	Code Number	Displacement cm ³
H 20A/C4.5X067	4.5	H 20A/C4.5X156	4.5	H 20A/C4.5X066	4.5
H 20A/C6.3X067	6.3	H 20A/C6.3X156	6.3	H 20A/C6.3X066	6.3
H 20A/C8.2X067	8.2	H 20A/C8.2X156	8.2	H 20A/C8.2X066	8.2
H 20A/C10X067	10	H 20A/C10X156	10	H 20A/C10X066	10
H 20A/C11X067	11	H 20A/C11X156	11	H 20A/C11X066	11
H 20A/C12X067	12	H 20A/C12X156	12	H 20A/C12X066	12
H 20A/C14X067	14	H 20A/C14X156	14	H 20A/C14X066	14
H 20A/C15X067	15	H 20A/C15X156	15	H 20A/C15X066	15
H 20A/C16X067	16	H 20A/C16X156	16	H 20A/C16X066	16
H 20A/C19X067	19	H 20A/C19X156	19	H 20A/C19X066	19
H 20A/C22X067	22	H 20A/C22X156	22	H 20A/C22X066	22
H 20A/C25X067	25	H 20A/C25X156	25	H 20A/C25X066	25



I GROUP 30 + GROUP 20

II

FRONT PUMP

REAR PUMP

Code Number	Displacement cm ³
H 30A/C20X198	20
H 30A/C22.5X198	22.5
H 30A/C25X198	25
H 30A/C32X198	32
H 30A/C36X198	36
H 30A/C42X198	42
H 30A/C46X198	46
H 30A/C50X198	50
H 30A/C55X198	55

Code Number	Displacement cm ³
H 20A/C4.5X201	4.5
H 20A/C6.3X201	6.3
H 20A/C8.2X201	8.2
H 20A/C10X201	10
H 20A/C11X201	11
H 20A/C12X201	12
H 20A/C14X201	14
H 20A/C15X201	15
H 20A/C16X201	16
H 20A/C19X201	19
H 20A/C22X201	22
H 20A/C25X201	25



I GROUP 30 + GROUP 30

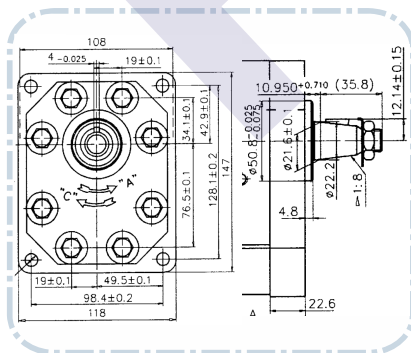
II

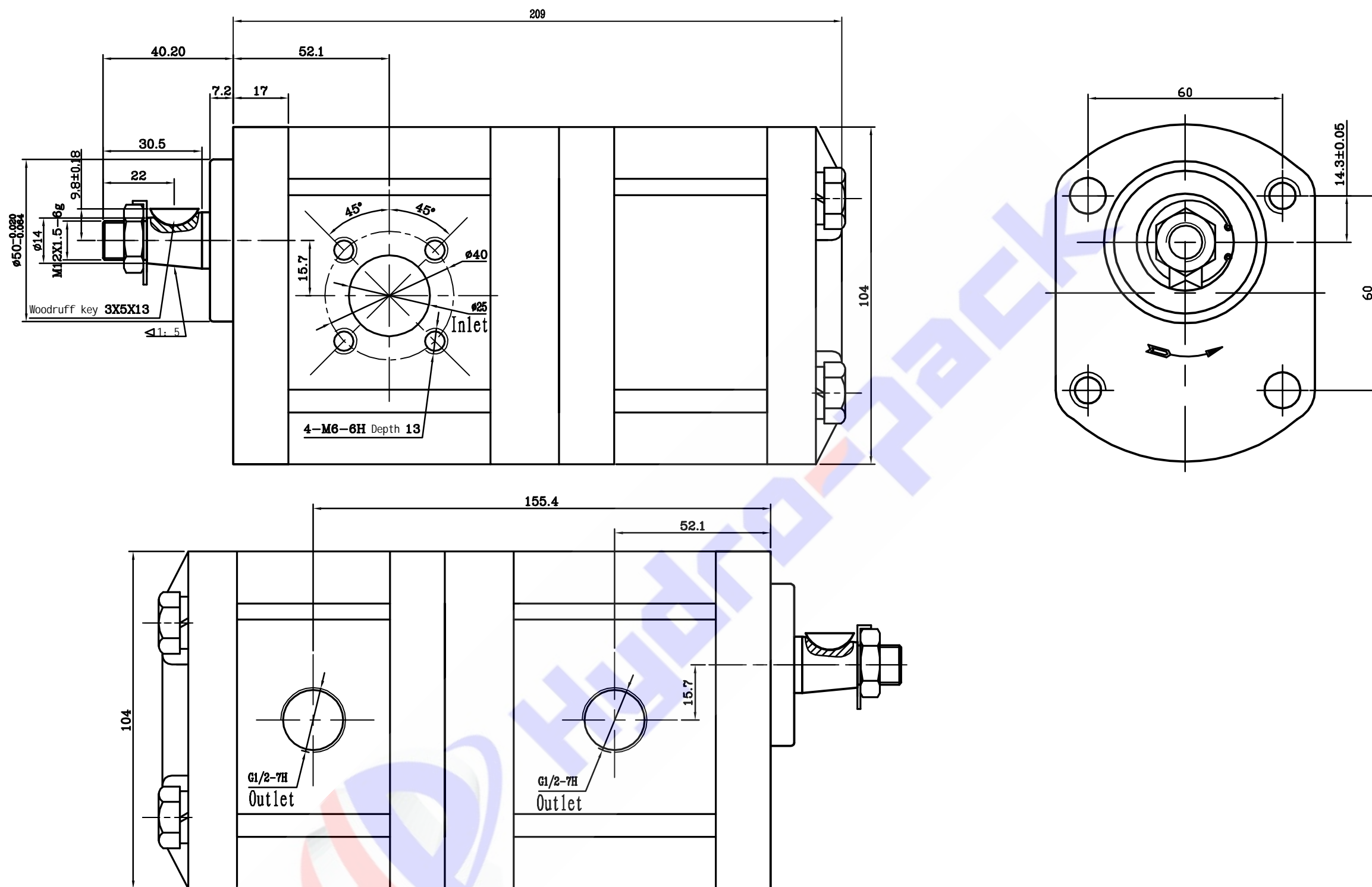
FRONT PUMP

REAR PUMP

Code Number	Displacement cm ³
H 30A/C20X241	20
H 30A/C22.5X241	22.5
H 30A/C25X241	25
H 30A/C32X241	32
H 30A/C36X241	36
H 30A/C42X241	42
H 30A/C46X241	46
H 30A/C50X241	50
H 30A/C55X241	55

Code Number	Displacement cm ³
H 30A/C20X242	20
H 30A/C22.5X242	22.5
H 30A/C25X242	25
H 30A/C32X242	32
H 30A/C36X242	36
H 30A/C42X242	42
H 30A/C46X242	46
H 30A/C50X242	50
H 30A/C55X242	55





22A19/11 × 779	19/11.3	20	25	1500	3000	≥ 90%
Model	Disp. ml/r	Rated	Max.	Rated	Max.	Volumetric efficiency
		Pressur (MPa)		Speed (r/min)		