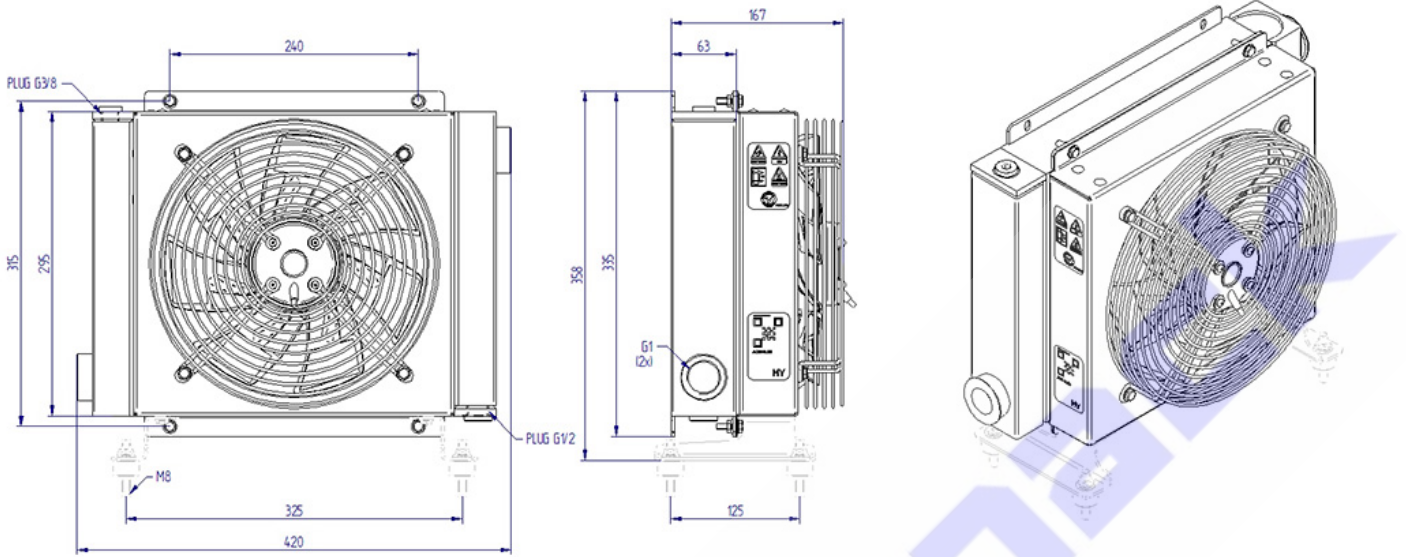


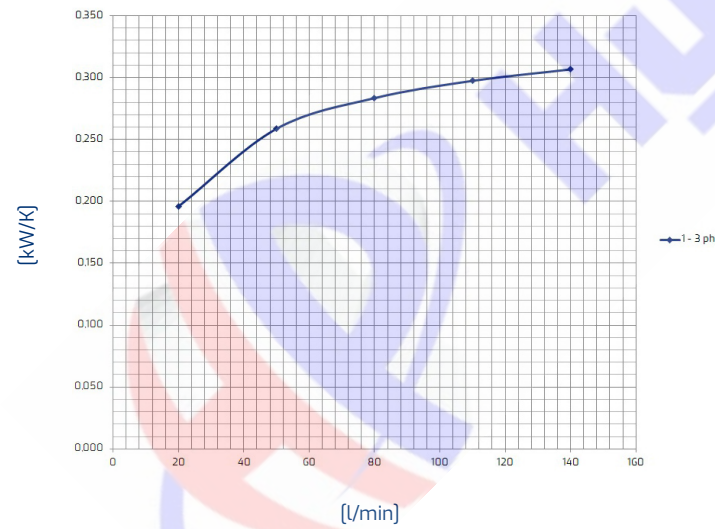
HY series HY02401



Technical data

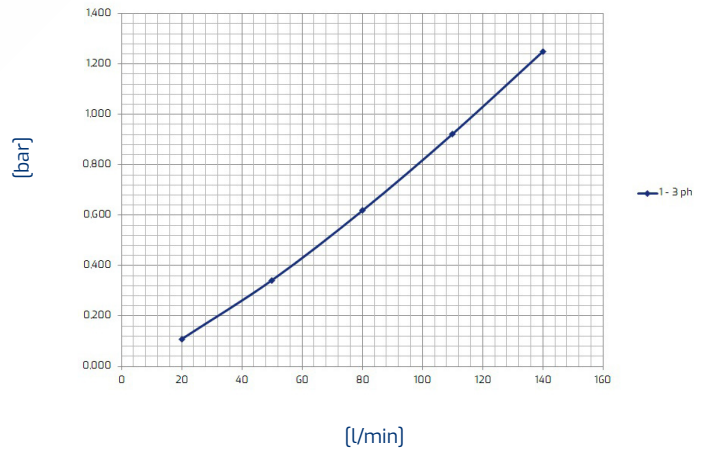
Item	Oil flow [l/min]	Capacity [l]	Weight [kg]	Rpm	Voltage [V]	Frequency [Hz]	Current absorption [A]	Power [W]	Ø Fan [mm]	Air flow [m³/h]	Noise level [db(A)]
HY02401	20-140	2	12		230	50/60	0,57	125	250	1280	68
HY02403	20-140	2	12		230/400	50/60	0,24	154	250	1300	69

Performance



Oil T 80°C
T Amb. 40°C

Pressure drop



Viscosity - ISO VG 32 Oil

Oil	22	32	46	68	150
Correction factor	0,8	1	1,2	1,6	3